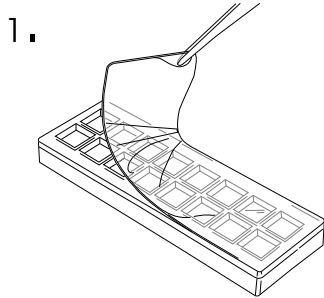
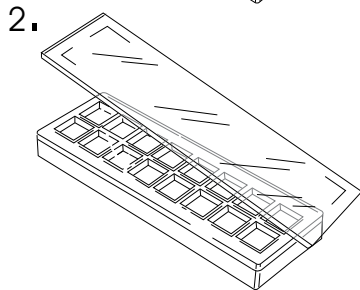


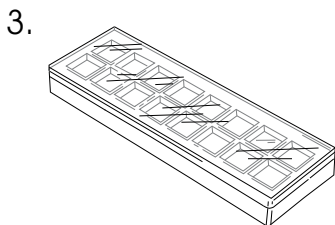
ProPlate™ Multi-Array Slide Modules



1. Remove release liner to expose silicone gasket.
2. Place microscope slide (array side down) over silicone gasket, aligning edges of slide with the edges of the upper structure.
3. Press gently on back side of the slide to adhere slide to gasket.



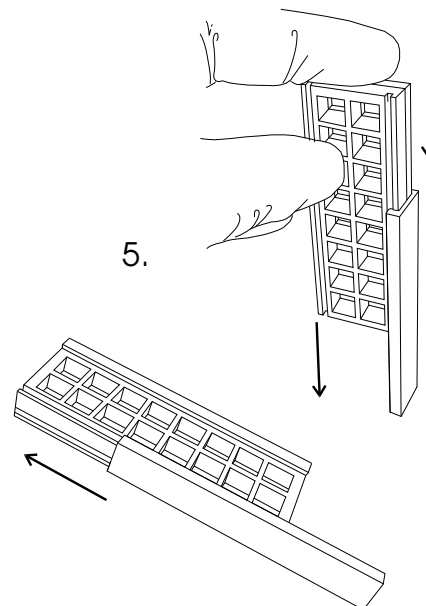
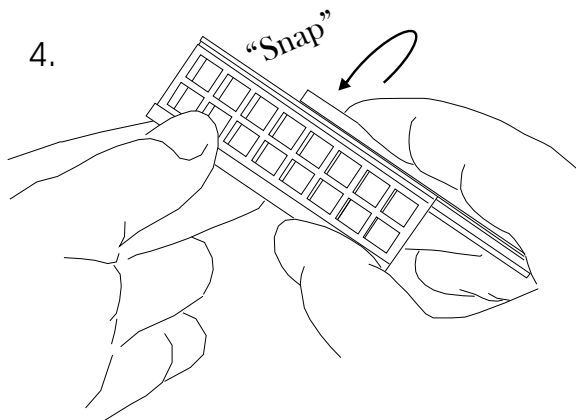
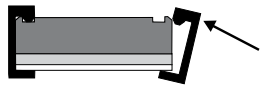
4. Place clip onto slide/upper structure assembly by snapping onto long edge of module. Grasping assembly, place the flat inner edge of the clip over the glass slide, and press the clip into the groove in the upper structure surface.



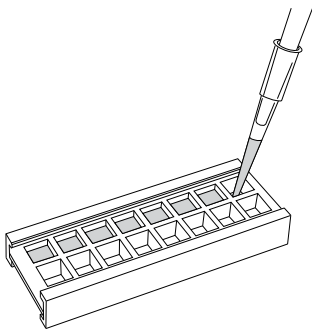
5. Slide clip until ends are flush with the assembly.

Alternatively, clips may be pressed against the bench top to facilitate application.

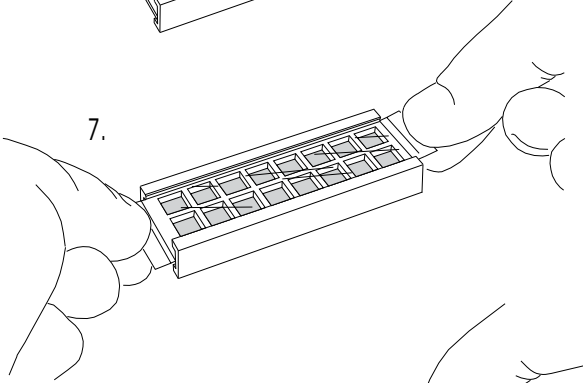
Repeat assembly steps for each clip.



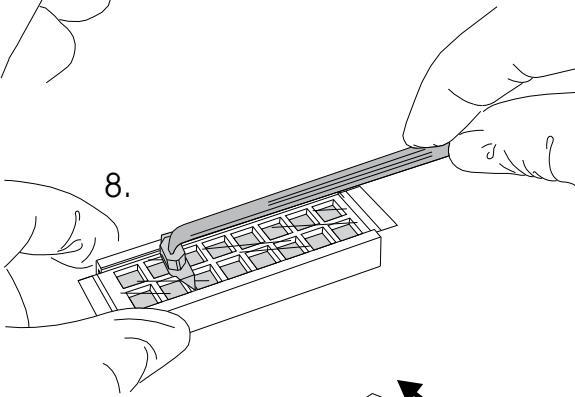
6.



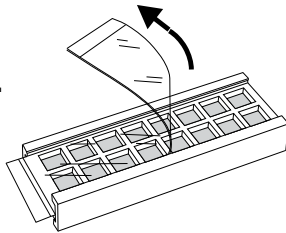
7.



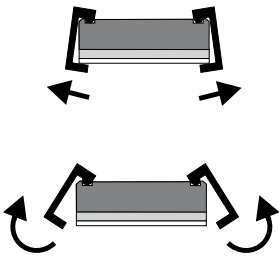
8.



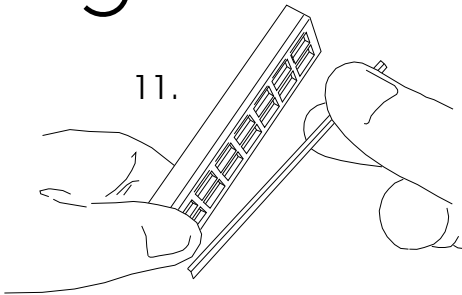
9.



10.



11.



6. Add reagents to each well. 9 mm center to center well spacing facilitates use with multichannel pipettes.

7. After filling, wells may be covered to prevent evaporation. Using ProPlate Seal Strips - remove the white liner from seal strip.

Apply exposed adhesive side of seal strip to wells aligning edge of strip with clips.

8. Using seal strip applicator, smooth seal strip surface to remove bubbles, ensuring a leak-free seal.

9. After incubation, seal strip may be removed by peeling it off.

Module may be re-sealed using a fresh seal strip. Ensure that the well surface is dry before application.

10. Clips are easily removed by pulling clips away from the slide side of module.

11. Arrayed slide can simply be removed for analysis in a chip reader.

12. ProPlate tray holds up to four modules, resulting in a plate with standard microtitre plate footprint and well spacing for use with plate washers and readers.

ProPlate products are for laboratory use only.

12.



Product List *Current prices may be obtained from our Web site or from our Customer Service Department.*

Cat #	Product Name	Unit Size
P37002	ProPlate™ adhesive seal-strips *set of 50 seal-strips and one applicator*	1 set
P37001	ProPlate™ multi-array slide module *set of 2*	1 set
P37004	ProPlate™ multi-array system *includes four 16-well slide modules, 1 tray and cover, 10 seal-strips and 1 applicator*	1 set
P37003	ProPlate™ tray and cover *includes one tray and cover*	1 set

Contact Information

Further information on Molecular Probes products, including product bibliographies, is available from your local distributor or directly from Molecular Probes. Customers in Europe, Africa and the Middle East should contact our office in Paisley, United Kingdom. All others should contact our Technical Service Department in Eugene, Oregon.

Please visit our website—probes.invitrogen.com—for the most up-to-date information.

Molecular Probes, Inc.

29851 Willow Creek Road, Eugene, OR 97402
Phone: (541) 465-8300 • Fax: (541) 335-0504

Customer Service: 6:00 am to 4:30 pm (Pacific Time)

Phone: (541) 335-0338 • Fax: (541) 335-0305 • probesorder@invitrogen.com

Toll-Free Ordering for USA:

Order Phone: (800) 438-2209 • Order Fax: (800) 438-0228

Technical Service: 8:00 am to 4:00 pm (Pacific Time)

Phone: (541) 335-0353 • Toll-Free (800) 438-2209
Fax: (541) 335-0238 • probestech@invitrogen.com

Invitrogen European Headquarters

Invitrogen, Ltd.

3 Fountain Drive
Inchinnan Business Park
Paisley PA4 9RF, UK

Phone: +44 (0) 141 814 6100 • Fax: +44 (0) 141 814 6260

Email: euroinfo@invitrogen.com

Technical Services: eurotech@invitrogen.com

Molecular Probes products are high-quality reagents and materials intended for research purposes only. These products must be used by, or directly under the supervision of, a technically qualified individual experienced in handling potentially hazardous chemicals. Please read the Material Safety Data Sheet provided for each product; other regulatory considerations may apply.

Limited Use Label License No. 223: Labeling and Detection Technology

For research use only. Not intended for any animal or human therapeutic or diagnostic use. The purchase of this product conveys to the buyer the non-transferable right to use the purchased amount of the product and components of the product in research conducted by the buyer (whether the buyer is an academic or for-profit entity). The buyer cannot sell or otherwise transfer (a) this product (b) its components or (c) materials made using this product or its components to a third party or otherwise use this product or its components or materials made using this product or its components for Commercial Purposes. The buyer may transfer information or materials made through the use of this product to a scientific collaborator, provided that such transfer is not for any Commercial Purpose, and that such collaborator agrees in writing (a) to not transfer such materials to any third party, and (b) to use such transferred materials and/or information solely for research and not for Commercial Purposes. Commercial Purposes means any activity by a party for consideration and may include, but is not limited to: (1) use of the product or its components in manufacturing; (2) use of the product or its components to provide a service, information, or data; (3) use of the product or its components for therapeutic, diagnostic or prophylactic purposes; or (4) resale of the product or its components, whether or not such product or its components are resold for use in research. Invitrogen Corporation will not assert a claim against the buyer of infringement of the above patents based upon the manufacture, use or sale of a therapeutic, clinical diagnostic, vaccine or prophylactic product developed in research by the buyer in which this product or its components was employed, provided that neither this product nor any of its components was used in the manufacture of such product. If the purchaser is not willing to accept the limitations of this limited use statement, Invitrogen is willing to accept return of the product with a full refund. For information on purchasing a license to this product for purposes other than research, contact Molecular Probes, Inc., Business Development, 29851 Willow Creek Road, Eugene, OR 97402. Tel: (541) 465-8300. Fax: (541) 335-0504.

Several Molecular Probes products and product applications are covered by U.S. and foreign patents and patents pending. All names containing the designation ® are registered with the U.S. Patent and Trademark Office.

Copyright 2006, Molecular Probes, Inc. All rights reserved. This information is subject to change without notice.