

CultureWell™ MultiSlip™ Coverslip Inserts (C24760, C24761)

Contents: 10 sterile MultiSlip inserts, individually packaged. 10 sterile CultureWell plates.

To place a MultiSlip insert into a plate

1. Place on workbench as shown (Figure 1). Aseptically peel back sterile pouch with top plastic liner to expose MultiSlip insert (Figure 2).

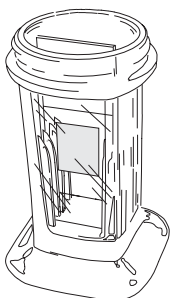
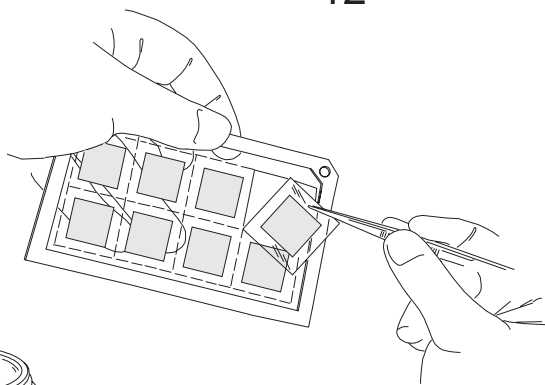
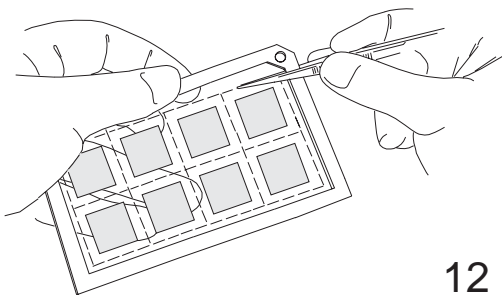
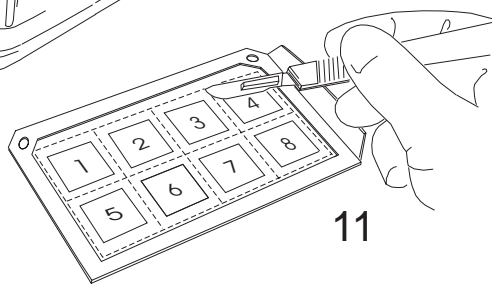
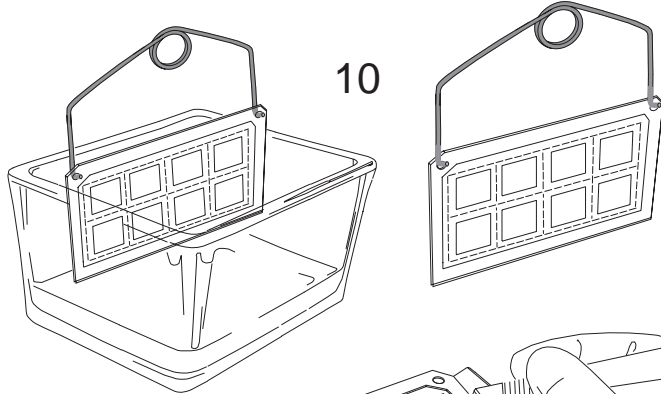
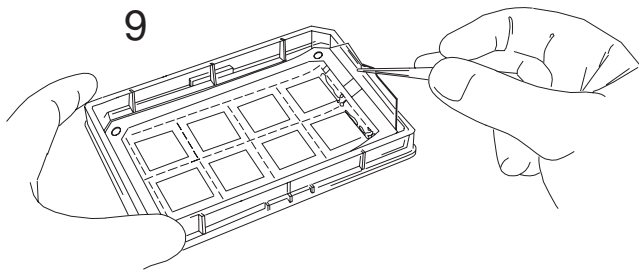
2. Using sterile forceps, lift the MultiSlip insert with the backing cover. (Figure 3); Remove the lid from a CultureWell plate, and place the insert into the plate as shown in Figure 4 with the backing cover upward.

3. Affix the insert to the surface of the tray by pressing gently but firmly on the surface of the backing cover. Use sterile forceps or a pipette tip and press over the surface as shown (Figure 5). Remove and discard the backing cover (Figure 6).

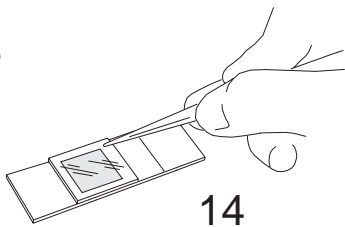
To culture cells in CultureWell plates

Flood plate with a suspension of cells in medium (10-20ml). Allow the cells to attach for 1-24 hours in a humidified CO₂ incubator.

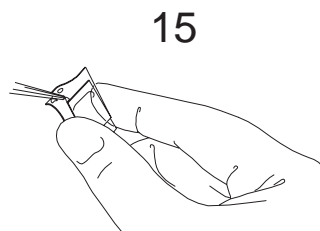
After cultivation, cells can be washed, fixed and stained in the plate using standard protocols. The hydrophobic silicone creates a fluid barrier to facilitate antibody incubations on coverslips (Figure 8).



13



14



15

To remove a MultiSlip Insert from a plate.

Grasp the silicone centrally at the side or top of the insert with forceps and pull *slowly* upward releasing the silicone backing from the plate surface (Figure 9). Coverslips may be stained, washed, etc. Using conventional staining dishes by attaching a stainless steel handle to the insert frame as shown (Figure 10).

To remove a coverslip from a MultiSlip insert.

Individual silicone backed coverslips are separated from an insert after first removing the insert from the plate as previously described (Figure 9). Separate silicone backed coverslips can be separated by grasping the layer of silicone backing each coverslip and peeling it gently away from the silicone under layer. Go slowly giving silicone layer time to detach. (Figure 12). Alternately, Coverslips may be separated by cutting them free of the underlayer.

Coverslip handling and mounting

Coverslips can be affixed to a slide by means of the tacky silicone backing for routine processing of slides (Figure 13). The silicone backing can also be used to create a water barrier for probe incubations under the coverslip inverted and mounted on a slide (Figure 14). The silicone backing can also be easily removed by peeling it away from the coverslip for routine slide mounting (Figure 15).

MultiSlips™ are for laboratory use only.

Product List *Current prices may be obtained from our Web site or from our Customer Service Department.*

Cat #	Product Name	Unit Size
C24760	CultureWell™ multislip cell culture system MSI-12 *plate and insert, fifteen 12 mm coverslips per insert* *set of 10*	1 set
C24761	CultureWell™ multislip cell culture system MSI-18 *plate and insert, eight 18 mm coverslips per insert* *set of 10*	1 set

Contact Information

Further information on Molecular Probes products, including product bibliographies, is available from your local distributor or directly from Molecular Probes. Customers in Europe, Africa and the Middle East should contact our office in Leiden, the Netherlands. All others should contact our Technical Assistance Department in Eugene, Oregon.

Please visit our Web site — www.probes.com — for the most up-to-date information.

Molecular Probes, Inc.

29851 Willow Creek Road, Eugene, OR 97402
Phone: (541) 465-8300 • Fax: (541) 335-0504

Customer Service: 6:00 am to 4:30 pm (Pacific Time)

Phone: (541) 335-0338 • Fax: (541) 335-0305 • order@probes.com

Toll-Free Ordering for USA and Canada:

Order Phone: (800) 438-2209 • Order Fax: (800) 438-0228

Technical Assistance: 8:00 am to 4:00 pm (Pacific Time)

Phone: (541) 335-0353 • Toll-Free (800) 438-2209
Fax: (541) 335-0238 • tech@probes.com

Molecular Probes Europe BV

Poortgebouw, Rijnsburgerweg 10
2333 AA Leiden, The Netherlands
Phone: +31-71-5233378 • Fax: +31-71-5233419

Customer Service: 9:00 to 16:30 (Central European Time)

Phone: +31-71-5236850 • Fax: +31-71-5233419
eurorder@probes.nl

Technical Assistance: 9:00 to 16:30 (Central European Time)

Phone: +31-71-5233431 • Fax: +31-71-5241883
eurotech@probes.nl

Molecular Probes products are high-quality reagents and materials intended for research purposes only. These products must be used by, or directly under the supervision of, a technically qualified individual experienced in handling potentially hazardous chemicals. Please read the Material Safety Data Sheet provided for each product; other regulatory considerations may apply.

Several Molecular Probes products and product applications are covered by U.S. and foreign patents and patents pending. Our products are not available for resale or other commercial uses without a specific agreement from Molecular Probes, Inc. We welcome inquiries about licensing the use of our dyes, trademarks or technologies. Please submit inquiries by e-mail to busdev@probes.com. All names containing the designation ® are registered with the U.S. Patent and Trademark Office.

CultureWell and MultiSlip are trademarks of Grace Bio-Labs, Inc.

Copyright 2004, Molecular Probes, Inc. All rights reserved. This information is subject to change without notice.